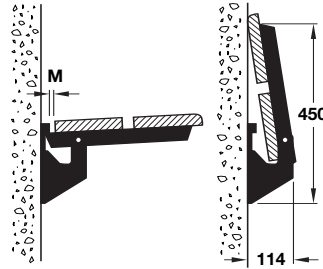
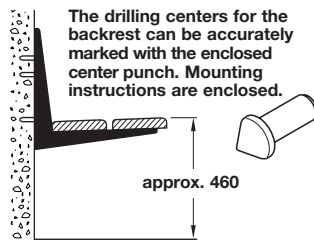


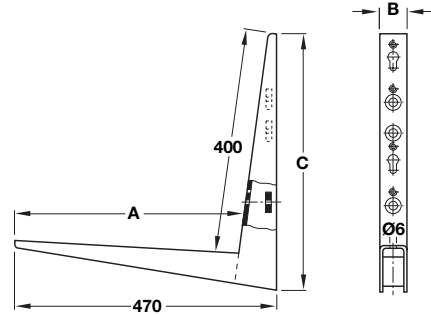
Brackets



When folded up the bracket requires the space specified at left. It is pre-drilled for the seat, which can be up to 40 mm thick.

Seat thickness	Minimum gap M
25 mm	17 mm
30 mm	17 mm
35 mm	22 mm
40 mm	28 mm

Hebgo bench bracket,
heavy-duty model

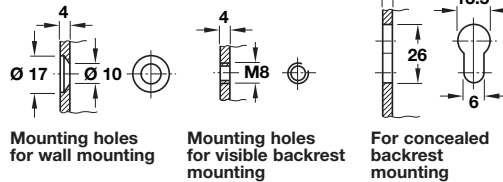


Load capacity to 500 kg (1100 lbs.) per pair

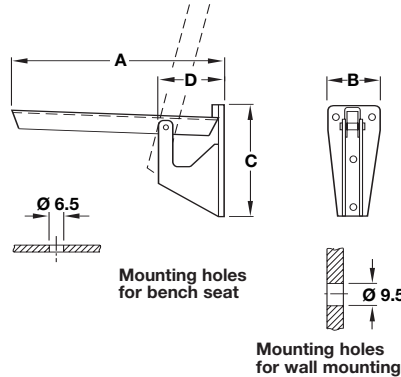
Material: steel

Dimensions			galvanized
A	C	B	
410	460	48	287.47.971

Packing: 1 pc.



Hebgo folding bench bracket,
heavy-duty model for outdoor use



Load capacity to 500 kg (1100 lbs.) per pair

Material: steel

Dimensions				galvanized
A	C	D	B	
380	208	114	90	287.47.917

Packing: 1 pc.

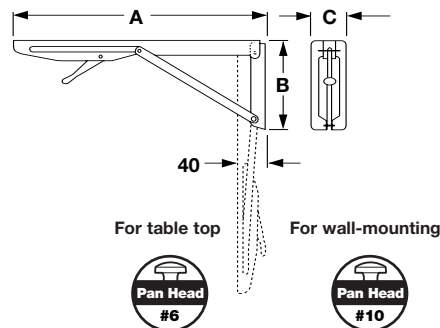
***Note:**

Load capacities are approximate figures and can change depending on application. These figures were determined by static test-distributing the weight evenly over the surface, but not extending the length of the bracket.

Folding bracket,
with locking device in supporting arm



To fold, lift slightly (to release the safety device). Press the release lever and the bracket will fold down.



Load capacity to 50 kg. (110 lbs.) per pair

Material: steel, bright galvanized

Dimensions			Color	
A	B	C	black	white
300	115	42	287.49.322	287.49.724

Packing: 1 pair

Dimensional data not binding. We reserve the right to alter specifications without notice.

Pan head screws page 453

Dimensions in mm
Inches are approximate